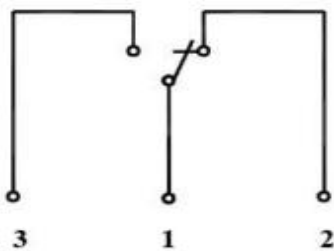
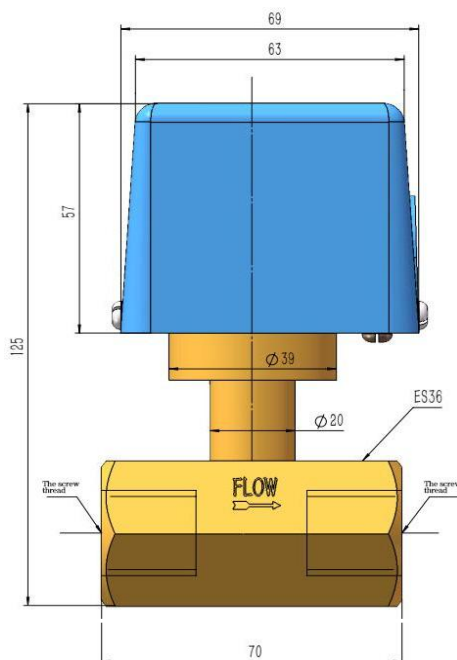




The wiring diagram



Size chart



Principle and Characteristics

Mechanical flow switch, built-in spring supported baffle, when the flow reaches the prefabricated value of the mechanical structure triggers the micro switch. On - line installation, minimal pressure loss, good repeatability, stain resistance, through the knob to achieve accurate switching Settings. The mechanical part is completely isolated from the electronic part.

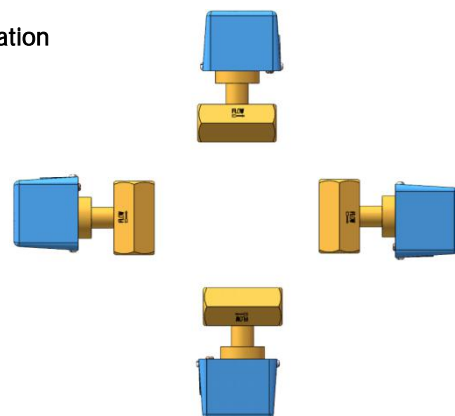
The product application

Gas-liquid dual-use, industrial automation/mechanical equipment/air compression industry/refrigeration and air conditioning suitable for pipes with diameter 50mm.

Technical parameters

- ◆ Set scope: See the table below for details
- ◆ Repeatability: $\pm 2.5\%$ total range
- ◆ Connection mode: Terminal connection
- ◆ Output: Normally open + Normally closed (250VAC,3A)
- ◆ pressure: 16bar
- ◆ The environment temperature: $-25\cdots 80^{\circ}\text{C}$
- ◆ Medium temperature: 90°C
- ◆ Protection grade: IP33
- ◆ **material**
- ◆ Main body: stainless steel
- ◆ Process connection: brass
- ◆ Connecting rod: brass
- ◆ Baffle: stainless steel

The installation



Note: The installation position will affect the switch value

Selection table

Pipedia meter	The weight of the	Interface thread	Block slice	pressure	hysteresis	The adjustable range	model
DN	Kg	D	A/B	BAR	L/MIN	L/MIN	
20	< 1.5kg	G3/4"Taper thread	A	16	2	4.2-18	VR12-020GK/A
20		G3/4"Taper thread	B	16	3	8.3-37	VR12-020GK/B
25		G1"Taper thread	A	16	2	5.2-23	VR12-025GK/A
25		G1"Taper thread	B	16	4	10-48	VR12-025GK/B
32		G1'1/4"Taper thread	A	16	3	8.1-39	VR12-032GK/A
32		G1'1/4"Taper thread	B	16	6	19-90	VR12-032GK/B
40		G1'1/2"Taper thread	A	16	5	15-69	VR12-040GK/A
40		G1'1/2"Taper thread	B	16	7	25-111	VR12-040GK/B

Note: The above parameters are tested by installing the switch vertically in the horizontal pipeline and using 20°C water as the medium.

Applicable medium



Prompt order

1. Please indicate the medium flow direction, medium type, pipe diameter and expected setting value when ordering. We can help you complete the Settings at the factory.
2. If it is viscous medium, please indicate viscosity, temperature and type of medium.