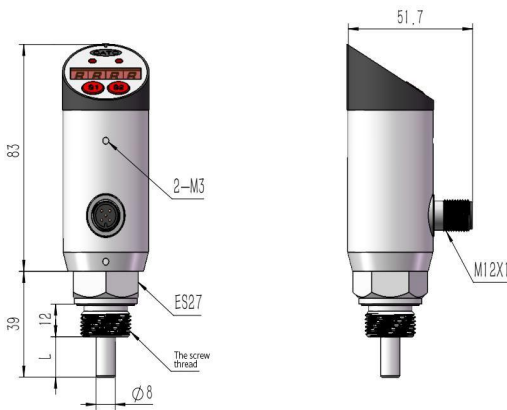




Size chart



- ◆ Economical products
- ◆ 4-bit LED digital display
- ◆ Full metal housing
- ◆ PNP/NPN Can be set up
- ◆ 4...20mA/0...20mA Can be set up ; 1...5V/0...5V Can be set up
- ◆ The display head is rotatable

## General parameters

Measuring range	- 50... 200 degrees Celsius
The power supply voltage	12...30Vdc
No load current consumption	30mA, 24Vdc
Switch output	
The output type	Push-pull type (compatible with PNP and NPN), normally open and normally closed can be set
S1,S2 output current	<500mA
The response time	<10ms <10ms
Voltage drop	<1V <1V
Accuracy of switching	± 0.5%range
Current mode analog output	
The output type	Three line 0... 20mA/4... Can be set to 20 ma
Load RA	RA 0.5Kohm
linearity	± 0.5range
Voltage type analog output	
The output type	Three line 0... 20mA/4... Can be set to 20 ma
Load RA	RA 0.5Kohm
linearity	± 0.5range
Voltage type analog output	
The output type	Three line 0... 5V/1... V can be set up
Load RA	RA>10Kohm
linearity	± 0.5%range
Wiring protection	Reverse phase, overload, short circuit protection
According to design	Red 4-bit 8mm high brightness LED
Display range	-999...9999
The accuracy of	± 0.5%range
Stability (annual drift)	± 0.3%range
The temperature	
Medium temperature	-50...125
The environment temperature	-20...80
Storage temperature	-30...80
The probe pressure	200bar
material	
Header shell	Zinc alloy
shell	Stainless steel 304
Medium contact part	Stainless steel 316
Protection grade	IP67
Round way	The M12*1 connector is directly routed

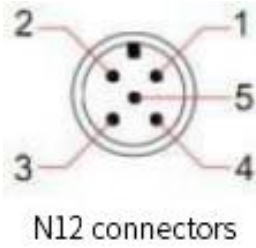
## Principle and Characteristics

T80 adopts high precision sensor for temperature measurement, and the signal is converted into standard industrial electrical signal output and display after processing by the rear processing circuit. The design of the blank metal case and the use of high light LED digital display make the series products can be used in a variety of industrial applications. Double button design and menu make the product more convenient to use. A variety of connections can fully meet a variety of specific installation requirements. The display head can rotate 330 ° to ensure the best viewing Angle under different mounting methods.

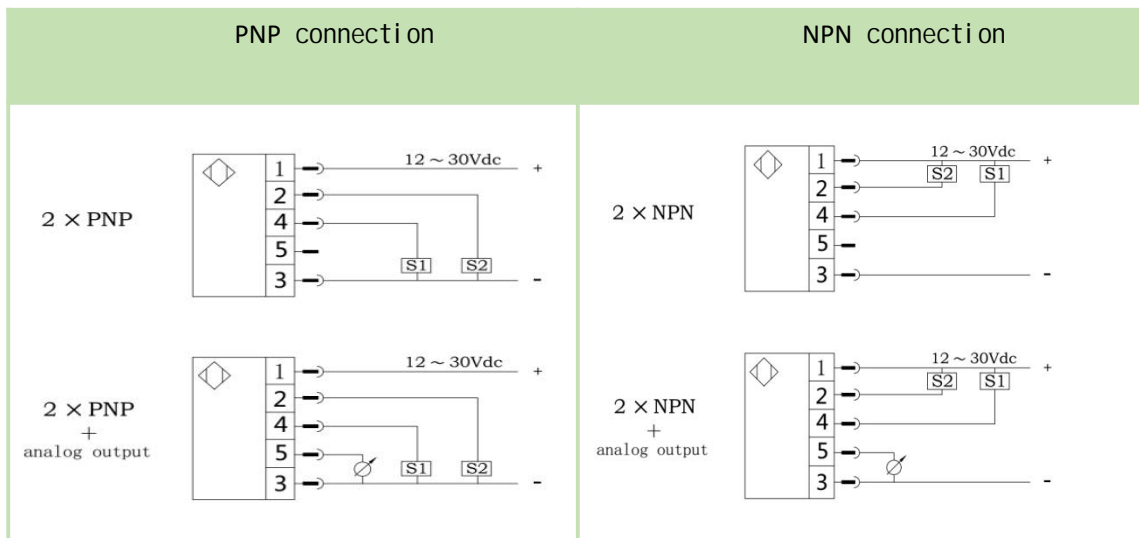
## application

- Circulating water/cooling water
- ydraulic and pneumatic
- 油Oil and gas industry
- Machinery manufacturing
- Water treatment

The wiring diagram



signal	stitching	cable
The power is	1	brown
The power negative	3	blue
Switch outputs1	4	black
Switch outputs2	2	white
Analog output (voltage or Current)	5	gray



Selection table

T80	-	21	A	G14M	S	050	/	
T80	-							
		20						Two switches output
		21						Two switches + current analog output (0.. 20/4... 20mA)
		22						Two switches + current analog output(0.. 5/1... 5mA)
			A					Threaded connections
				G12M				G1/2 external thread
				G14M				G1/4 external thread
				N14M				NPT1/4 external thread
					S			M12*1 five-core plug
						XXX		Metric L = XXXmm

Note: Special requirements can be customized