

### The principle of structure

T50 A temperature transmitter with a wide range of measurement, using hot spot or PT100 thermal resistance for temperature measurement, the signal is processed by the rear processing circuit and converted into standard industrial electrical signal output. The all-metal shell design enables the series to be used in a variety of industrial applications. Optional HART output. Users can choose to install LED or LCD digital display table according to requirements.

### application

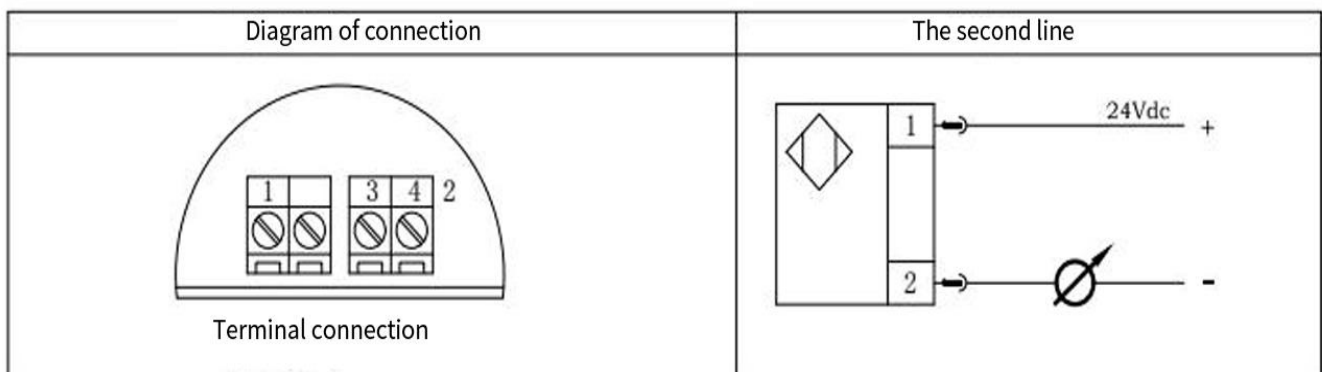
- Circulating water/cooling
- waterIron and steel industry
- Oil and gas industry
- Machinery manufacturing
- Water treatment
- Glass industry

- ◆ General purpose product
- ◆ Measuring range from -200... 1800, user definable
- ◆ 4...20mAThe output
- ◆ Can carry HART protocol
- ◆ Multiple process connections are optional
- ◆ 4 bit LED/LCD digital display table can be installed
- ◆ Full metal housing

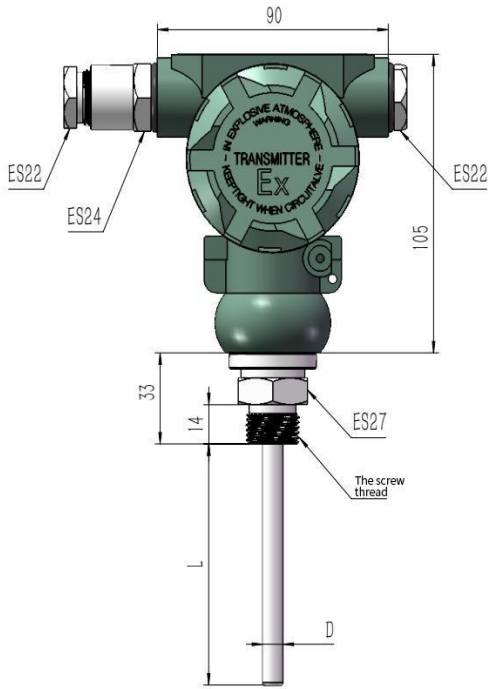
### General parameters

The power supply voltage	10...30Vdc
Current consumption 2 wire current mode analog output	Consistent with output signal current (4... 20 ma)
The output type	2线4...20mA
Load RA (ohm)	RA (Us-10)V/0.02A
linearity	± 0.5%range
The sensor	PT100ClassA (PT1000 can be customized)
The accuracy of	± 0.2%range
The temperature	
Medium temperature (measuring range)	- 200... 1800 (within this range, defined by the user)
The environment temperature	-20...80
Storage temperature	-30...100
material	
shell	Die casting aluminum
Medium contact part	Stainless steel 316
Protection grade	IP65
Round way	Terminal connection

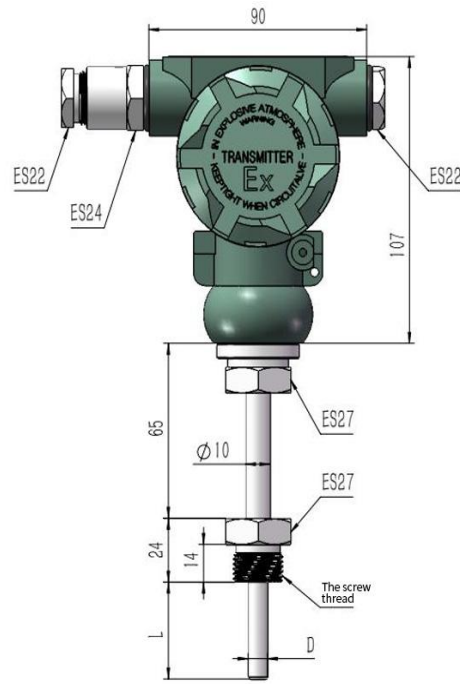
### The wiring diagram



## Size chart



Threaded connections



High temperature type

## Selection table

T50	-	C-50-200	42	G12M	A	100	D08	
T50	-	C-50-200	42					Measurement range: -200... 1800(self-specified temperature range)
			HT					4...20mA
				G12M				4...20mA+HARTThe output
				G01M				G1/2External thread
				N12M				G1External thread
				N01M				1/2 ' ' NPTEexternal thread
				M27				1 ' ' NPTEexternal thread
					A			M27*2External thread
					B			Tube with neck (above 100)
						100		Without neck tube (below 100)
								Probe length L=100mm (the length of the probe rod is self-determined)
							D06	Probe diameter: D06=6mm (length L1000mm)
							D08	D08=8mm
							D12	D12=12mm
							D15	D15=15mm