

The principle characteristics

The PN35 electronic pressure sensor uses ceramic or thin film technology to ensure high precision and durability of the sensor. With field display, LED digital display field pressure or setting menu.

The characteristics of

Maximum measurement range: -1... 600bar, digital LED display pressure value and switch status, menu set switch point, analog starting point, end point, output function, storage function and display function, so the setting does not need to be completed on site. With high reliability, the output can be directly used in PLC. M12 locking connector, easy to disassemble, high protection level. Positive or negative pressure can be measured. The sensor can be used as both a pressure switch and a pressure transmitter because it has both a switching output and an analog output. The display housing can rotate freely in the range of 270° to fully meet the visual requirements.

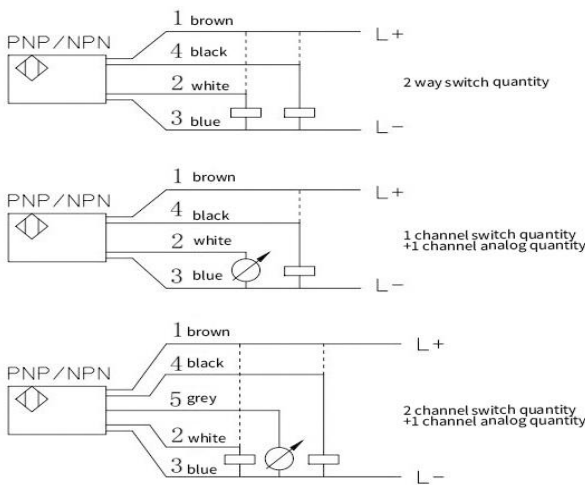
application

Gas liquid dual purpose, suitable for: pump control, tank detection, level control, filter clogging, monitoring, leakage monitoring, can also be widely used in hydraulic and pneumatic occasions: such as mechanical equipment and process control.

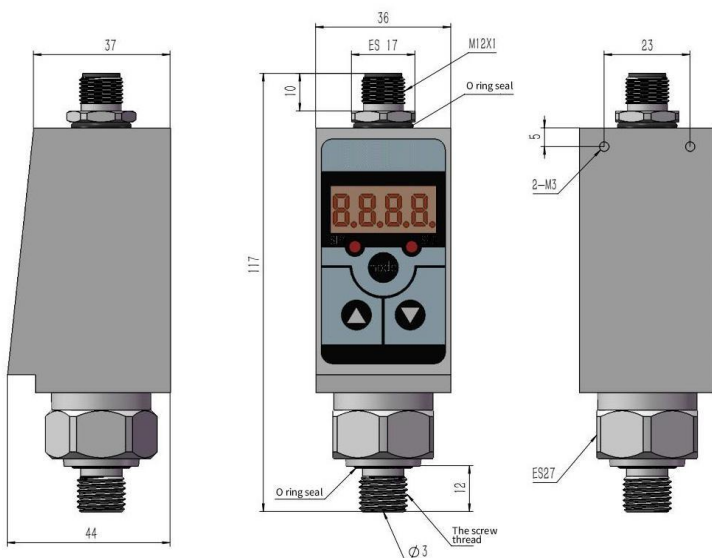
Technical parameters

- ◆ Range: See the selection table for details
- ◆ Process capability: See the table below
- ◆ Switch output: Setting range 0.5%... 100% range
 - Accuracy 0.5% range
 - Number of switches 1 or 2 Optional
 - Output function PNP; NPN normally open or normally closed can be set
 - Rated current 300mA
 - The response time 30ms
- ◆ Analog output: Output type 4... 20mA analog output load 500Ω
 - The accuracy of: 0.5%
- ◆ Repeatability: 0.5% range display: red 9mmLED,
- ◆ The scope of : 999...9999
- ◆ The power supply : 15...30VDC
- ◆ Electrical protection: reverse, overload and short circuit protection
- ◆ The environment temperature: -20...80
- ◆ Medium temperature : -30...100
- ◆ Storage temperature : -40...100
- ◆ The temperature influence : $\pm 0.03\%/K$
- ◆ Protection grade : IP67
- ◆ Process connection: stainless steel +NBR seal
- ◆ Shell material: zinc alloy
- ◆ Electrical connection: M12 × 14 core connector
 - M12 × 15 core connector (for 1 analog +2 switching type)

The wiring diagram



Size chart



Selection table

PN35	-	P	001	G14	2A	Q	detailed
PN35	-						PN35 series intelligent pressure switch
		P					Positive pressure type
			001				Set the range:0...1bar
			002				Set the range:0...2bar
			005				Set the range:0...5bar
			010				Set the range:0...10bar
			025				Set the range:0...25bar
			060				Set the range:0...60bar
			100				Set the range:0...100bar
			160				Set the range:0...160bar
			250				Set the range:0...250bar
			400				Set the range:0...400bar
			600				Set the range:0...600bar
				G14H			Interface thread G1/4 External thread
				G12H			Interface thread G1/2 External thread
				M20H			Interface thread M20 external thread
					1S		1 switch output
					2S		2 switch output
					1A		1 analog output
					2A		1 Switch +1 analog output
					3A		2 Switch +1 analog output
						Q	M12 connector

Note: Special process connection or electrical connection can be customized