



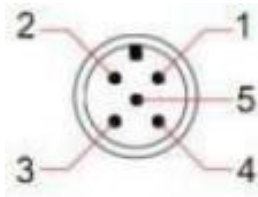
**Technical parameters**

- ◆ Power supply voltage: 12... 30Vdc
- ◆ Load current consumption: maximum 30mA,24Vdc power supply
- ◆ Switch output:
- ◆ Output type: Push-pull (PNP and NPN optional) Normally open and normally closed can be set
  - S1, S2 Output current: <math>\leq 500\text{mA}</math>
  - The response time : <math>< 10\text{ms}</math>
  - Switching accuracy:  $\pm 0.5\%$  range
- ◆ Current type analog output:  $\pm 0.5\%$  range
  - Output type: 4... 20mA
  - Configurable loadRA: 0.5KOhm
  - Linearity: 0.5% range
- ◆ Wiring protection: reverse phase, overload, section protection
- ◆ Display:
  - Design: Red 4-bit 8mm high brightness LED
  - Display range : 999...9999
- ◆ Accuracy:  $\pm 0.5\%$  range
- ◆ Stability (annual drift) :  $\pm 0.3\%$  range
- ◆ The temperature:
  - Medium temperature :  $-20...85\text{ }^{\circ}\text{C}$
  - The environment temperature :  $-20...80\text{ }^{\circ}\text{C}$
  - Storage temperature :  $-30...80\text{ }^{\circ}\text{C}$
- ◆ material :
  - Case of watch head: engineering plastic
  - Housing: stainless steel 304
  - Medium contact part: stainless steel 316L/ ceramic
- ◆ Protection class: IP67
- ◆ Outgoing mode: M12x1 connector

Parameter table

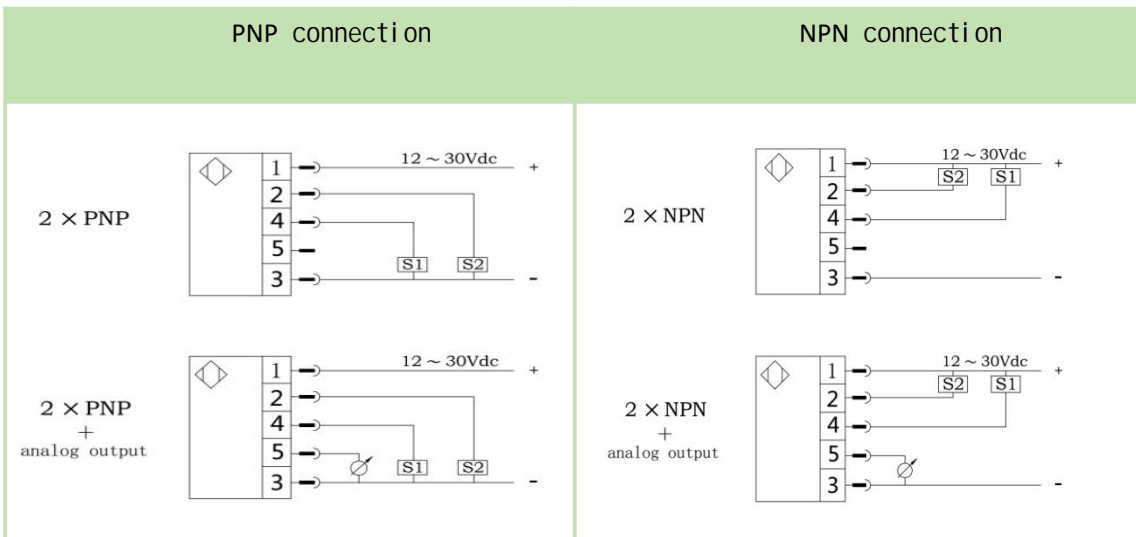
Pressure range	bar	1	2	5	10	16	25	60	100	160	250	400	600
	psi	15	30	75	145	230	370	900	1500	2300	3600	6000	9000
Maximum overload pressure		×5			×3			×2			×1.5		×1.3
Maximum overload pressure		×6			×4			×3			×2		×1.6

The wiring diagram

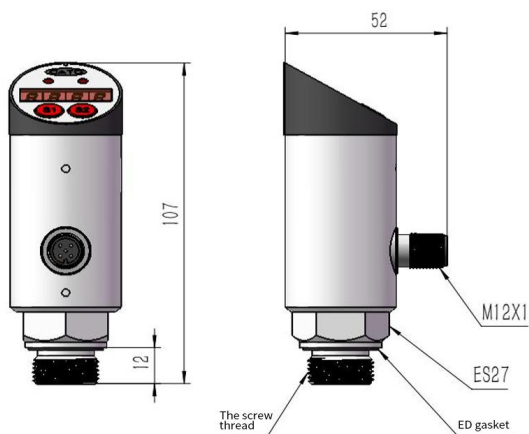


N12 connectors

signal	stitching	cable
The power is	1	brown
The power negative	3	blue
Switch output S1	4	black
Switch output S2	2	white
Analog output (voltage or current)	5	gray

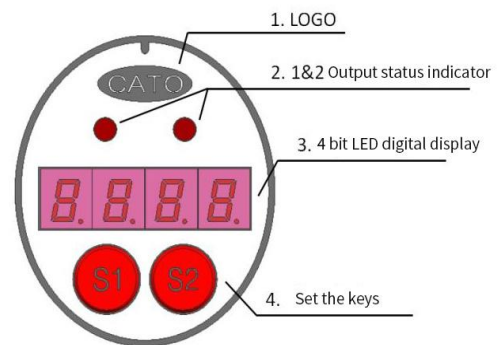


Size chart



G1/2 Connection thread

Panel diagram



Selection table

PN30	-	P	100	G14H	3A	Q	-	detailed
PN30								PN30 series electronic digital display pressure sensor
		P						The outputPNP
		N						The outputNPN
			001					Set the range : -1...1bar或0...1bar
			002					Set the range : -1...5bar或0...2bar
			005					Set the range : -1...5bar或0...5bar
			010					Set the range : 0...10bar
			025					Set the range : 0...25bar
			060					Set the range : 0...60bar
			100					Set the range : 0...100bar
			160					Set the range : 0...160bar
			250					Set the range : 0...250bar
			400					Set the range : 0...400bar
			600					Set the range : 0...600bar
				G14H				Interface thread: G14 external thread
				G12H				Interface thread: G12 external thread
				G14K				G1/4Internal thread
				K50				Installation: the outer diameter of chuck connection is 50.5mm
					1S			1A switch output
					2S			2A switch output
					1A			1Analog output
					2A			1 Switch +1 analog output
					3A			2 Switch +1 analog output
						Q		M12 × 1connectors
							-	Positive pressure
							F	Negative pressure

Note: Support for special customization