



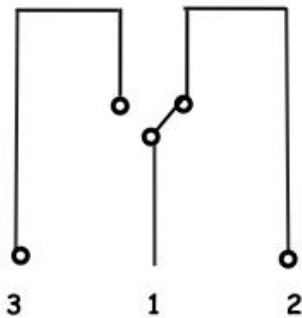
The principle of structure

P30 series pressure switch built-in bellows and mechanical structure, when the system pressure rises or falls, the corresponding regulating spring and ripple will produce stretching or contraction displacement, through the lever to push the switch action, cut off or put on the control loop.

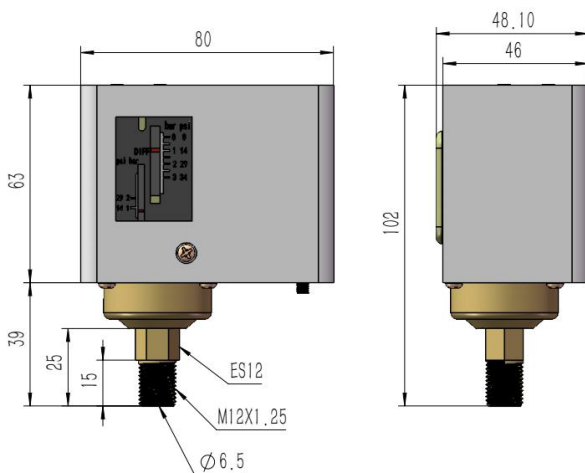
The characteristics of

Compact structure, wide measuring range (0... 30bar), high repeatability, adjustable hysteresis, silver plated contacts

The wiring diagram



Size chart



Technical parameters

- ◆ Measurement range: See the table below
- ◆ Hysteresis: See table below
- ◆ Error: See the table below
- ◆ Output: Normally open + normally closed contact silver plating DC42V,3A 8.5 A DC125V or less
4.5 A DC250V or less
- ◆ Medium temperature:30...100
- ◆ Protection class:IP33
- ◆ Wiring mode: Terminal wiring
- ◆ Interface thread:M12x1.25
- ◆ Material: Contact part: brass nickel plated
- ◆ The shell:NBR

Parameter table

| model | Range of adjustment (bar) | Adjustable hysteresis (bar) | Setting error (bar) | Repeatability (bar) |
|-------------|---------------------------|-----------------------------|---------------------|---------------------|
| P30-02MM12H | 0...2 | 0.2...1 | ±0.2 | 0.08 |
| P30-03MM12H | 0...3 | 0.3...1.2 | ±0.2 | 0.08 |
| P30-06MM12H | 0...6 | 0.4...1.5 | ±0.3 | |
| P30-10MM12H | 1...10 | 1...3 | ±0.5 | 0.2 |
| P30-12MM12H | 2...12 | 1...4 | ±0.5 | 0.2 |
| P30-16MM12H | 4...16 | 1...4 | ±1.0 | 0.25 |
| P30-20MM12H | 4...20 | 1...4 | ±1.0 | 0.35 |
| P30-30MM12H | 5...30 | 2...0.8 | ±1.5 | 0.5 |

Selection table

| P30 | 12 | M | M12 | H | detail ed |
|-----|----|---|-----|---|--|
| P30 | | | | | P30 series mechanical pressure switches |
| | 02 | | | | The adjustable range : 0...2 |
| | 3 | | | | The adjustable range : 0...4 |
| | 6 | | | | The adjustable range : 0...6 |
| | 10 | | | | The adjustable range : 1...10 |
| | 12 | | | | The adjustable range : 2...12 |
| | 16 | | | | The adjustable range : 4...16 |
| | 20 | | | | The adjustable range : 4...20 |
| | 30 | | | | The adjustable range : 5...30 |
| | | M | | | Contact part of the material: brass nickel plating |
| | | | G12 | | Interface thread:G1/2 |
| | | | M12 | | Interface thread : M12x1.25 |
| | | | | H | Interface thread External thread |

note : 1bar=1.02kg/cm²=0.1M