



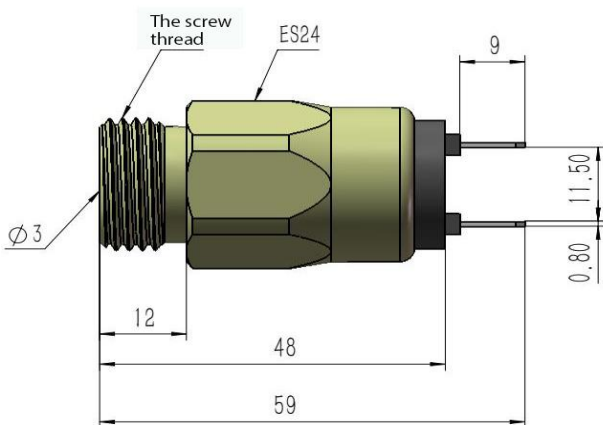
Principle and Structure

The internal piston is connected with the tightness spring when the pressure changes, the spring expansion changes accordingly, when the pressure reaches the set value, it will trigger the preset mechanical structure and send out the switch signal

The characteristics of

Designed for OEM applications, these compact pressure switches are ideal for construction machinery, Marine valve remote control systems, and other equipment requiring high pressure endurance. 0.3-100BAR (set point optional: piston type set point can be more than 200BAR) abnormal volume pressure range ratio can be factory set or site mediation

Overall dimensions



Technical parameters

- ◆ Storage temperature : -45... 130 ° c.
- ◆ Operating temperature: -45... 130 ° c.
- ◆ Switch: 100 va
- ◆ Repeatability: ±3%
- ◆ Pressure connection: galvanized steel/stainless steel
- ◆ Electrical connection: 6.3*0.8 blade
- ◆ Working life: 1 million times
- ◆ Maximum pressure resistance: diaphragm type 30Mpa (piston type 60MPa)

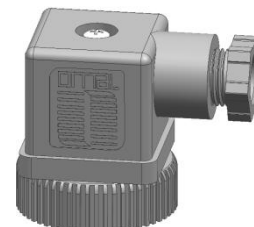
Optional accessories



Type A
Protective cap
With a single line hole
Suitable for cables with diameter of 1.5-5mm



Type B
Protective cap
With double wire hole
Suitable for 1.7-2.2mm diameter cable



C 型
Hersman ss sub

Selection table

P11	012	S	G14	H	O	详述
P11						11 series mechanical adjustable pressure switches
	03					Measurement range :0.03... 0.3 MPa
	04					Measurement range :0.1... 0.4 MPa
	05					Measurement range :0.06... 0.6 MPa
	06					Measurement range :0.5... 1.5 MPa
	07					Measurement range :0.1... 1.3 MPa
	08					Measurement range :1.6... 4.0 MPa
	09					Measurement range:0.4...2.8MPa
	010					Measurement range:4.1...7.0MPa
	011					Measurement range:0.6...6.0MPa
	012					Measurement range:7.1...10MPa
	013					Measurement range:5...15MPa
		S				Galvanized steel base
			M10			Interface threadM10 × 1
			M12			Interface threadM12 × 1.5
			M14			Interface threadM14 × 1.5
			M20			Interface threadM20 × 1.5
			G18			Interface threadG1/8
			N14			Interface threadNPT1/4
			G14			Interface thread1/4
			N18			Interface threadNPT1/8
				H		Interface thread External thread
					O	The normally open type
					C	Normally closed type

Note: Special thread shape requirements can be customized, add requirements in the model suffix. 1 bar = 1.02 kg/cm squared = 0.1 MPa

Prompt order

After the selection, please check the information again, in case of selection error! 1. Whether the models are consistent with your requirements

2. The range is correct
3. Check whether the type and quantity of output signals are correct
4. Check whether there are optional and accessory vulnerabilities