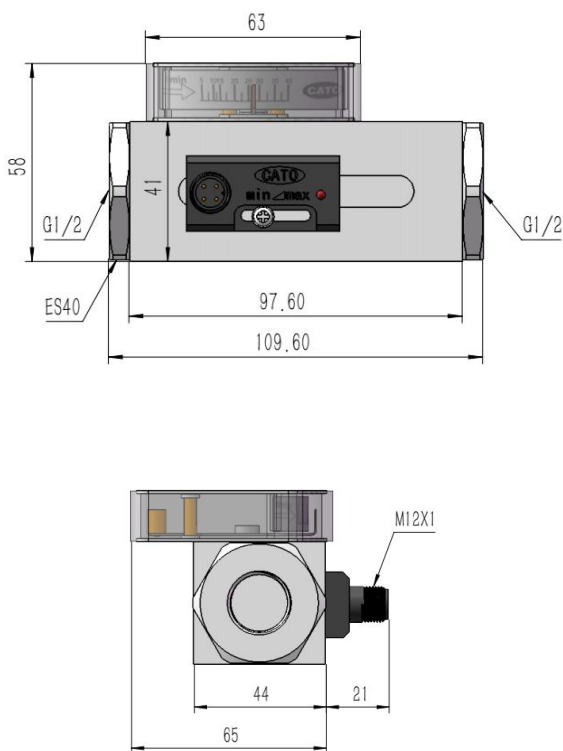




Size chart



The principle of

The FPD20 piston flow switch contains a magnetic piston supported by a precision spring that pushes the piston backwards and triggers an external microswitch or reed tube. Optional pointer type flow meter head to display instantaneous flow. Optional digital flowmeter head to display instantaneous flow rate. Models with analog output or high switching performance.

The characteristics of

- ◆ The interior is an all-metal structure
- ◆ Pointer type traffic switch is optional
- ◆ The switch has high reliability and repeatability
- ◆ The mechanical part is completely isolated from the electronic part
- ◆ High voltage
- ◆ Normally open output
- ◆ Large capacity of contacts

Technical parameters

- ◆ The test medium: liquid
- ◆ repetitive: $\leq \pm 3\%$ Weight range
- ◆ pressure: 200bar (Stainless steel type) , 100bar (Brass type)
- ◆ Output way: Normally open normally closed
- ◆ The switch capacity: 240Vac/110Vdc,1.5A
- ◆ The environment temperature: $-20 \sim 70^{\circ}\text{C}$
- ◆ material:
- ◆ Electronic housing section PC
- ◆ Switch shell Stainless steel/brass nickel plated
- ◆ spring Stainless steel
- ◆ Protection grade: IP65
- ◆ Round way: M12*1

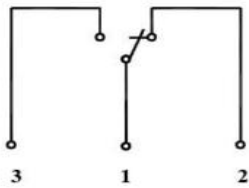
application

- hydraulic
- lubrication
- The circulatory system

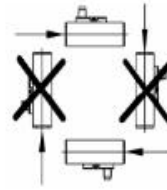
Parameter table

G	PN(bar)	Maximum flow (water L/min)	Switch setting range (water L/min)		The weight of the (kg)
G1/4	200	10	0.4~4		1.4
G3/8	200	20	0.4~4	1~12	1.4
G1/2	200	40	1~12	3~30	1.3
G3/4	200	60	3~30	5~40	1.3
G1	200	80	5~40	6~60	1.2

The wiring diagram

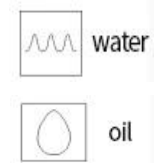


The Installation



Note: Installation position affects switch value

Applicable medium



Selection table

FPD20	008	G	D	L	004	M	detailed
FPD20-							FPD20 piston type flow switch
	008						The screw thread interfaceG1/4
	010						The screw thread interfaceG3/8
	015						The screw thread interfaceG1/2
	020						The screw thread interfaceG3/4
	025						The screw thread interfaceG1
		G					Internal thread
			D				DC power supply 24V±20%DC
			J				AC power supply 230V±15%AC
				L			Brass nickel-plated case
				X			Stainless steel housing
					004		Set the range: 0.4~4L/min
					012		Set the range: 1~12L/min
					040		Set the range: 5~40L/min
					060		Set the range: 6~60L/min
						M	M12 connectors
						Z	Directly attached to the line

1.Please specify medium flow direction, medium type, pipe diameter and expected setting value when ordering. We can help you complete the Settings at the factory.

2.If GAS medium, please specify PRESSURE (GAUGE/ABSOLUTE), TEMPERATURE AND TYPE OF MEDIUM.